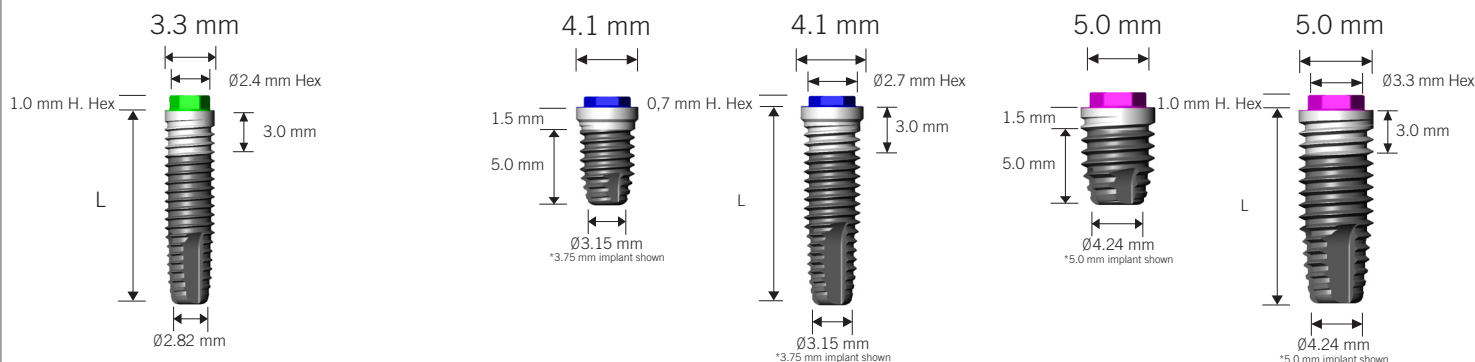


RESTORE® Dental Implants

SURGICAL AND PROSTHETIC KEY BENEFITS

- Hybrid RBM (Resorbable Blast Media) and machined surface for better osseointegration and soft tissue maintenance
- Available 6.5 mm length with 1.5 mm machined collar to avoid vital structures and maximize implant placement options
- Added depth markings on drills, taps, and depth gauges for placement of the 6.5 mm implants
- 3.3 mm narrow diameter for limited mesio/distal space
- Universal compatible design with the RD platform
- Pre-mounted, and cover screw included with each implant

External hex connection: established efficiency



External Hex connection



External Hex connection



External Hex connection

Ø3.3 mm straight implants:

DIAMETER	LENGTH	PLATFORM
3.3 mm	8 mm	Ø3.3 mm
3.3 mm	10 mm	Ø3.3 mm
3.3 mm	11.5 mm	Ø3.3 mm
3.3 mm	13 mm	Ø3.3 mm
3.3 mm	15 mm	Ø3.3 mm

Ø3.75 mm straight implants:

DIAMETER	LENGTH	PLATFORM
3.75 mm	6.5 mm	Ø4.1 mm
3.75 mm	8 mm	Ø4.1 mm
3.75 mm	10 mm	Ø4.1 mm
3.75 mm	11.5 mm	Ø4.1 mm
3.75 mm	13 mm	Ø4.1 mm
3.75 mm	15 mm	Ø4.1 mm

Ø5.0 mm straight implants:

DIAMETER	LENGTH	PLATFORM
5.0 mm	6.5 mm	Ø5.0 mm
5.0 mm	8 mm	Ø5.0 mm
5.0 mm	10 mm	Ø5.0 mm
5.0 mm	11.5 mm	Ø5.0 mm
5.0 mm	13 mm	Ø5.0 mm
5.0 mm	15 mm	Ø5.0 mm

Ø4.0 mm straight implants:

DIAMETER	LENGTH	PLATFORM
4.0 mm	6.5 mm	Ø4.1 mm
4.0 mm	8 mm	Ø4.1 mm
4.0 mm	10 mm	Ø4.1 mm
4.0 mm	11.5 mm	Ø4.1 mm
4.0 mm	13 mm	Ø4.1 mm
4.0 mm	15 mm	Ø4.1 mm

Ø6.0 mm straight implants:

DIAMETER	LENGTH	PLATFORM
6.0 mm	6.5 mm	Ø5.0 mm
6.0 mm	8 mm	Ø5.0 mm
6.0 mm	10 mm	Ø5.0 mm
6.0 mm	11.5 mm	Ø5.0 mm
6.0 mm	13 mm	Ø5.0 mm
6.0 mm	15 mm	Ø5.0 mm

*All products may not be available in all markets.