

# PrimaConnex<sup>®</sup> Dental Implants

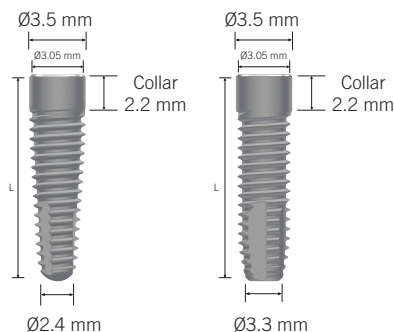
## SURGICAL AND PROSTHETIC KEY BENEFITS

- TiLobe<sup>®</sup> - 6 lobed internal connection with built-in platform switch
- Implants available in tapered and straight body designs
- Aggressive apical tapers to avoid anatomical structures, i.e. mental foramen
- Available with surface to the top and a 1.0 mm machined collar, ideal for soft tissue maintenance
- Complete color-coded system for surgical and restorative simplicity



## Clinical Flexibility & Esthetically-Driven Designs

Ø3.5 mm



Internal Ti-Lobe

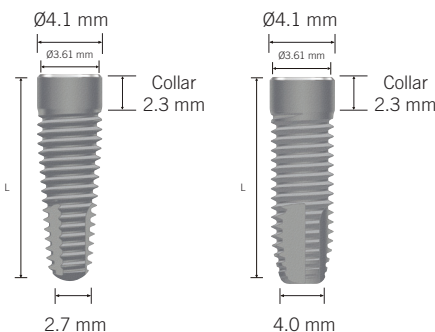
Ø3.5 mm Tapered Implants:

DIAMETER	LENGTH	PLATFORM
3.5 mm	10 mm	Ø3.05 mm
3.5 mm	11.5 mm	Ø3.05 mm
3.5 mm	13 mm	Ø3.05 mm
3.5 mm	15 mm	Ø3.05 mm

Ø3.3 mm Straight Implants:

DIAMETER	LENGTH	PLATFORM
3.3 mm	10 mm	Ø3.05 mm
3.3 mm	11.5 mm	Ø3.05 mm
3.3 mm	13 mm	Ø3.05 mm
3.3 mm	15 mm	Ø3.05 mm

Ø4.1 mm



Internal Ti-Lobe

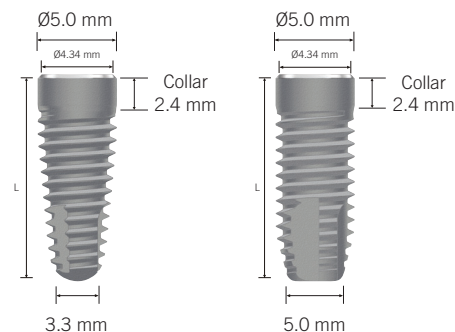
Ø4.1 mm Tapered Implants:

DIAMETER	LENGTH	PLATFORM
4.1 mm	10 mm	Ø3.61 mm
4.1 mm	11.5 mm	Ø3.61 mm
4.1 mm	13 mm	Ø3.61 mm
4.1 mm	15 mm	Ø3.61 mm

Ø4.1 mm Straight Implants:

DIAMETER	LENGTH	PLATFORM
4.1 mm	8 mm	Ø3.61 mm
4.1 mm	10 mm	Ø3.61 mm
4.1 mm	11.5 mm	Ø3.61 mm
4.1 mm	13 mm	Ø3.61 mm
4.1 mm	15 mm	Ø3.61 mm

Ø5.0 mm



Internal Ti-Lobe

Ø5.0 mm Tapered Implants:

DIAMETER	LENGTH	PLATFORM
5.0 mm	10 mm	Ø4.34 mm
5.0 mm	11.5 mm	Ø4.34 mm
5.0 mm	13 mm	Ø4.34 mm
5.0 mm	15 mm	Ø4.34 mm

Ø5.0 mm Straight Implants:

DIAMETER	LENGTH	PLATFORM
5.0 mm	8 mm	Ø4.34 mm
5.0 mm	10 mm	Ø4.34 mm
5.0 mm	11.5 mm	Ø4.34 mm
5.0 mm	13 mm	Ø4.34 mm